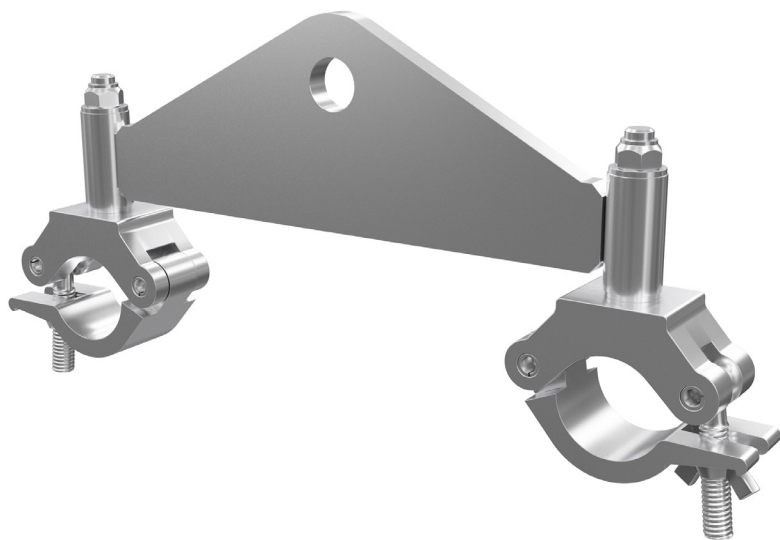


GIZMO FOR F43/F44

DATA SHEET



With the Global Truss Gizmo for F43 / F44 it is possible to suspend trusses in a fast and secure way. The design offers a high load capacity and is suitable with Global Truss F43, F44 as well as F44P trusses.

The Gizmo is suitable for operation above persons and is delivered with two half-couplers.

This Gizmo is available in two versions:

GIZMO40
GIZMO40-B

Galvanized
Stage Black finish

TECHNICAL DATA

Load: 1500 kg / WLL
750 kg above people
System: for F43 / F44 / F44P
Hole: 25 mm

Inclusive two Half-Coupler (Code 8121)

