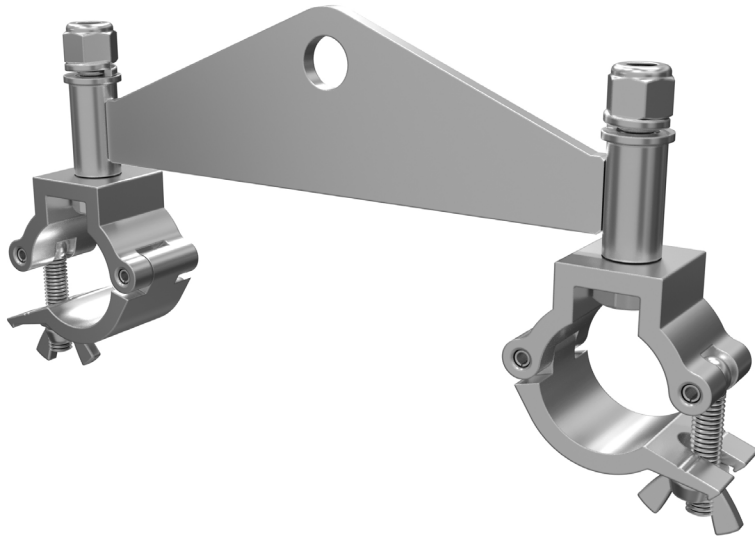


# GIZMO FOR F23/F24

DATA SHEET



With the Global Truss Gizmo for F23 / F24 it is possible to suspend trusses in a fast and secure way. The design offers a high load capacity and is suitable with Global Truss F23 as well as F24 trusses.

The Gizmo is suitable for operation above persons and is delivered with two half-couplers.

This Gizmo is available in two versions:

**GIZMO22**  
**GIZMO22-B**

**Galvanized**  
**Stage Black finish**

## TECHNICAL DATA

Load: 150kg / WLL  
75 kg above people  
System: for F23 / F24  
Hole: 13 mm

Inclusive two Half-Coupler (Code 5036)

