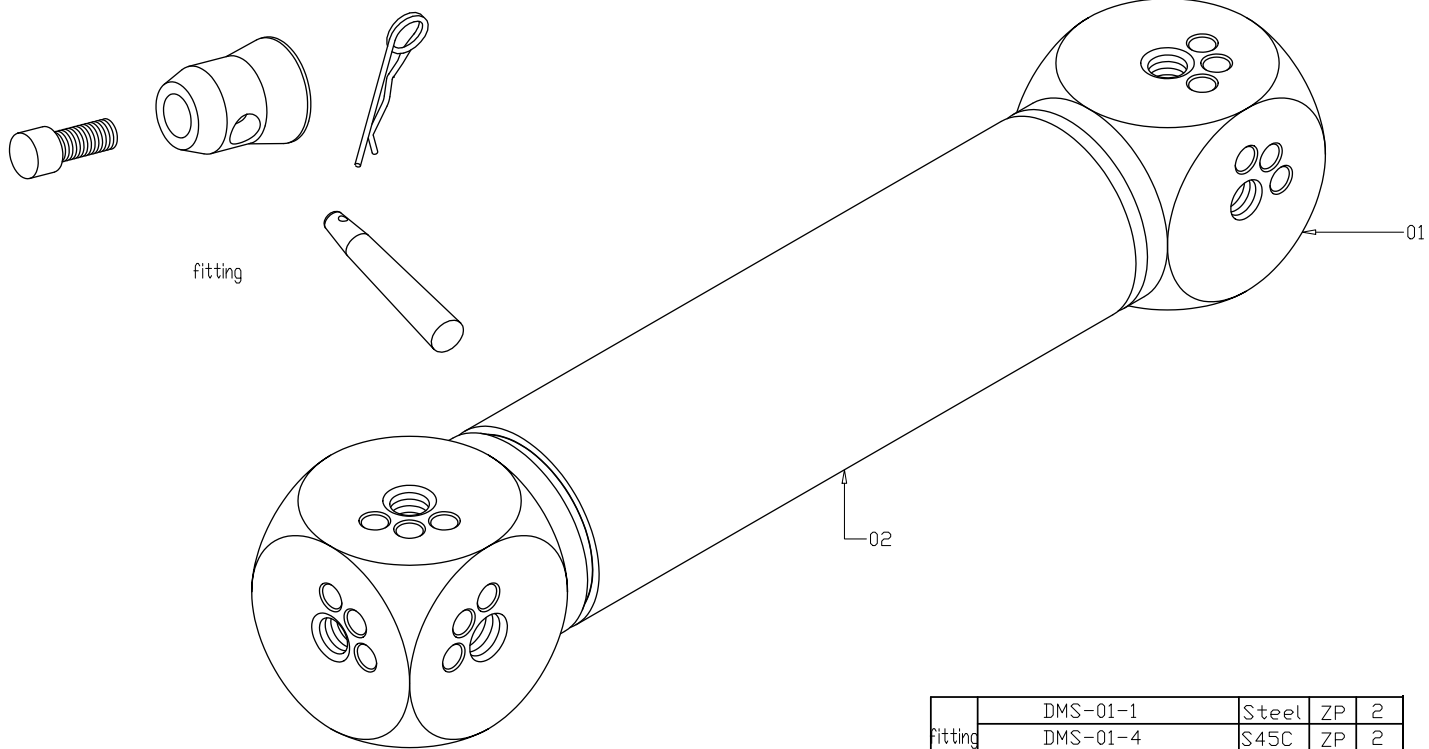
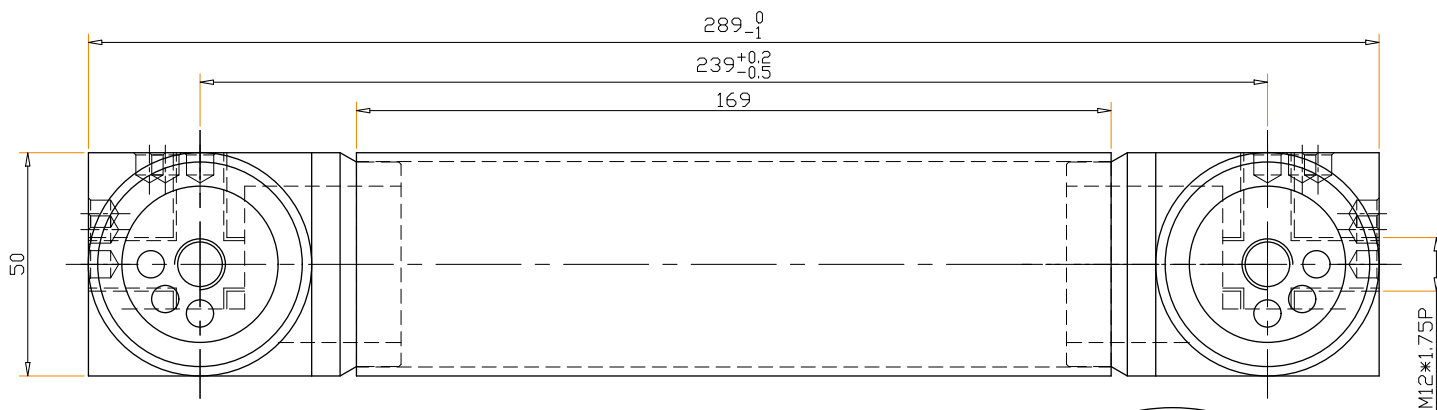


ADAPTER F32 STAGE BLACK

F32ADAPTER-B



fitting	DMS-01-1	Steel	ZP	2
	DMS-01-4	S45C	ZP	2
	M12*1.75P*23mm	Steel	BLACK	2
03	DMS-03-2N	Steel	ZP	2
02	∅50*2.0t*169mm	#6082	T6	1
01	DMS-03-1-1A	#6061	T6	2
NO.	SPEC.	MATERIAL	FIN.	QTY.